

N1C SERIES ENCLOSURES "LARGE" NEMA 1 HINGED WALL-MOUNT



N1C304209

Industry Standards

UL 50, Type 1
CSA Certified, Type 1
NEMA/EEMAC Type 1

 UL File E6924

 CSA File LL66078

FEATURES-SPECIFICATIONS

Applications

Designed for use in control and instrumentation applications in areas which do not require oil-tight and dust-tight specifications.

Construction

- Bodies and doors fabricated from 14 gauge steel
- Continuous hinged doors
- Doors are easily removable by pulling the hinge pin

- Door and body stiffeners provided for extra rigidity in larger enclosures
- Collar studs provided for mounting **optional** back panels
- External mounting feet provided
- Grounding provisions provided
- Doors are furnished standard with flushmount quarter-turn latch

Finish

- ANSI-61 gray polyester powder inside and out over phosphatized surfaces
- **Optional** panels are white polyester powder over phosphatized surfaces

Accessories

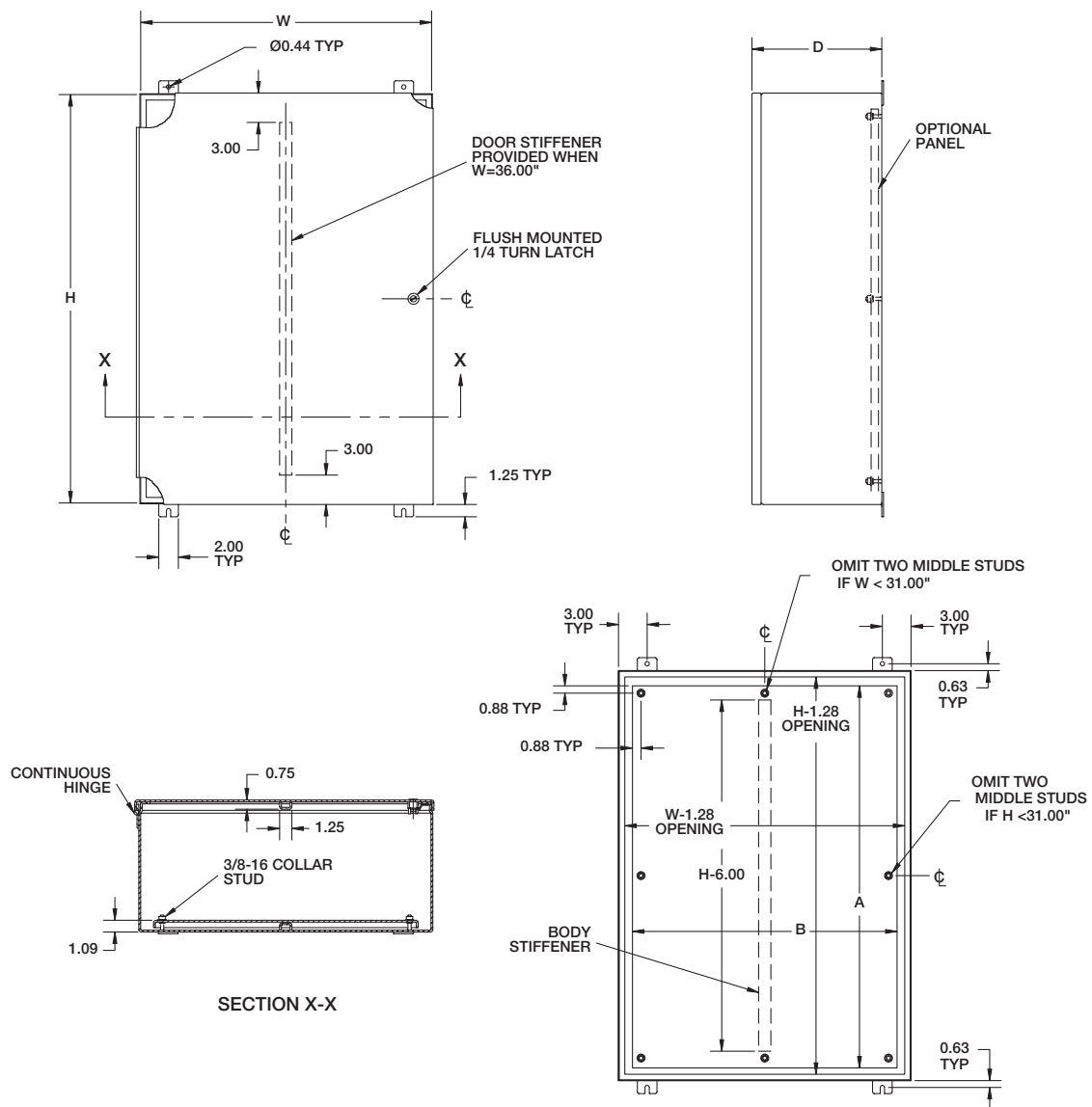
- Back panels (reference table)
- See pages J1-J19

"LARGE" N1C SERIES HINGE COVER ENCLOSURES

CATALOG NUMBER	BODY/DOOR STEEL GAUGE	ENCLOSURE SIZE H X W X D	BACK PANEL CATALOG NUMBER*	BACK PANEL STEEL GAUGE	BACK PANEL SIZE A X B
N1C304209	14/14	42.00x30.00x8.94 (1067x762x227)	NP4230	12	39.00x27.00 (991x686)
N1C364209	14/14	42.00x36.00x8.94 (1067x914x227)	NP4236	12	39.00x33.00 (991x838)
N1C364809	14/14	48.00x36.00x8.94 (1219x914x227)	NP4836	12	45.00x33.00 (1143x838)
N1C364811	14/14	48.00x36.00x10.94 (1219x914x278)	NP4836	12	45.00x33.00 (1143x838)
N1C304213	14/14	42.00x30.00x12.94 (1067x762x329)	NP4230	12	39.00x27.00 (991x686)
N1C364817	14/14	48.00x36.00x17.25 (1219x914x438)	NP4836	12	45.00x33.00 (1143x838)

* Back panels must be ordered separately





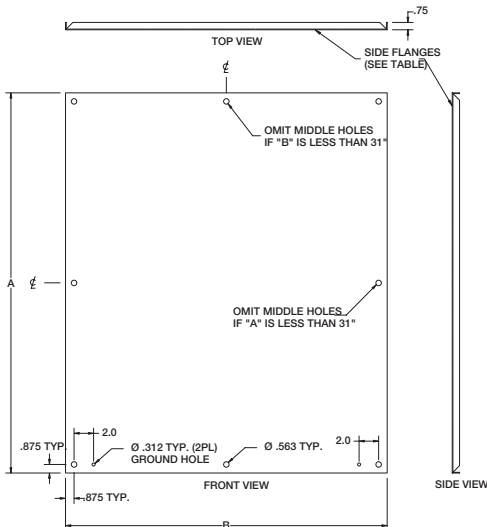


NP1212

FEATURES-SPECIFICATIONS

Description

- Steel and stainless panels are 12 gauge
 - Aluminum panels are 5052-H32 aluminum alloy, .080-inch thick
 - Panel with any side over 17.00" has 3/4" flange on all sides
 - Steel panels are painted white polyester powder
 - Panels fit the following enclosures:
 - NEMA 1, Large (NIC)
 - NEMA 3R, Hinge Cover (RHC, Large)
 - NEMA 4, 412, & 4X Single Door (N12, N4, N412, SSN4)
 - NEMA 12 2-Door Wall-Mount, (WAWF), Single Door
- Right Flange Disconnect (SDN12, ABN12)
Large JIC (B-CH, Large)
Single door N12



BACK PANELS FOR NEMA 1, 3R, 12, 4 & 4X WALL-MOUNT ENCLOSURES			
PAINTED STEEL (WHITE)	CATALOG NUMBER		PANEL SIZE A X B
	316 STAINLESS STEEL	ALUMINUM	
NP1212	—	—	9.00X9.00 (229X229)
NP1224	—	—	9.00X21.00 (229X533)
NP1612	NP1612SSA	ALNP1612	13.00X9.00 (330X229)
NP1616	NP1616SSA	ALNP1616	13.00X13.00 (330X330)
NP1620	—	—	17.00X13.00 (432X330)
NP2012	—	—	17.00X9.00 (432X229)
NP2016	NP2016SSA	ALNP2016	17.00X13.00 (432X330)
NP2024	—	—	21.00X17.00 (533X432)
NP2020	NP2020SSA	ALNP2020	17.00X17.00 (432X432)
NP2412	—	—	21.00X9.00 (533X229)
NP2416	NP2416SSA	—	21.00X13.00 (533X330)
NP2420	NP2420SSA	ALNP2420	21.00X17.00 (533X432)
NP2424	NP2424SSA	ALNP2424	21.00X21.00 (533X533)
NP2430	—	—	27.00X21.00 (686X533)
NP3016	—	—	27.00X13.00 (686X330)
NP3020	NP3020SSA	—	27.00X17.00 (686X432)
NP3024	NP3024SSA	ALNP3024	27.00X21.00 (686X533)
NP3030	NP3030SSA	—	27.00X27.00 (686X686)
NP3036	—	—	33.00X27.00 (838X686)
NP3042	—	—	39.00X27.00 (991X686)
NP3624	NP3624SSA	ALNP3624	33.00X21.00 (838X533)
NP3630	NP3630SSA	ALNP3630	33.00X27.00 (838X686)
NP3636	NP3636SSA	—	33.00X33.00 (838X838)
NP3642	—	—	39.00X33.00 (991X838)
NP4024	—	—	37.00X21.00 (940X533)
NP4224	—	—	39.00X21.00 (991X533)
NP4230	NP4230SSA	—	39.00X27.00 (991X686)
NP4236	NP4236SSA	—	39.00X33.00 (991X838)
NP4824	—	—	45.00X21.00 (1143X533)
NP4830	—	—	45.00X27.00 (1143X686)
NP4836	NP4836SSA	ALNP4836	45.00X33.00 (1143X838)
NP6030	—	—	57.00X27.00 (1448X686)
NP6036	NP6036SSA	ALNP6036	57.00X33.00 (1448X838)
NP7230	—	—	69.00X27.00 (1753X686)
NP7236	—	—	69.00X33.00 (1753X838)